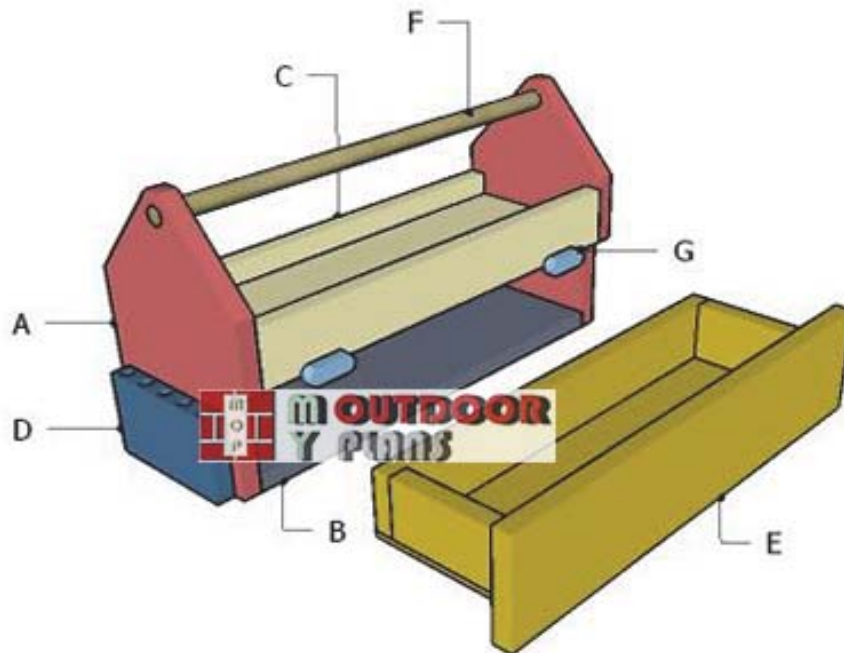


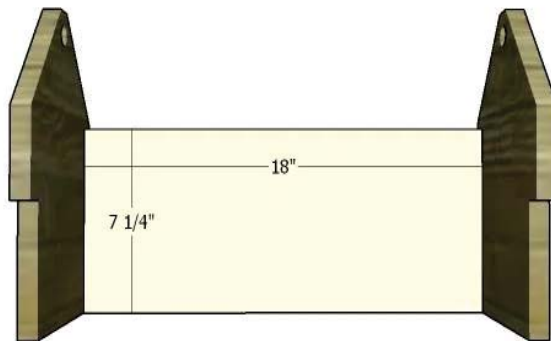
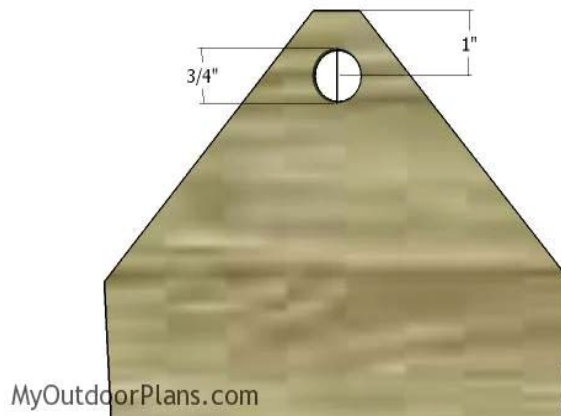
Wood Tool Caddy with Drawer

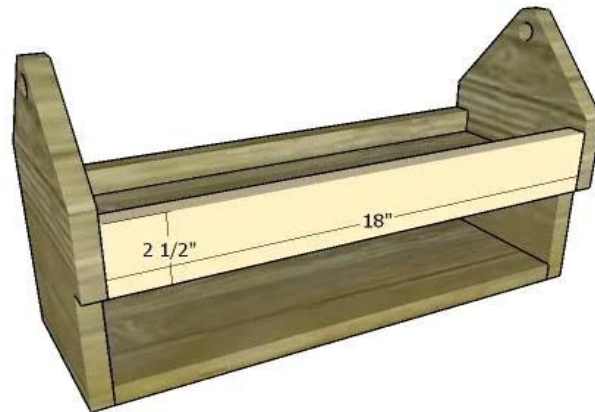
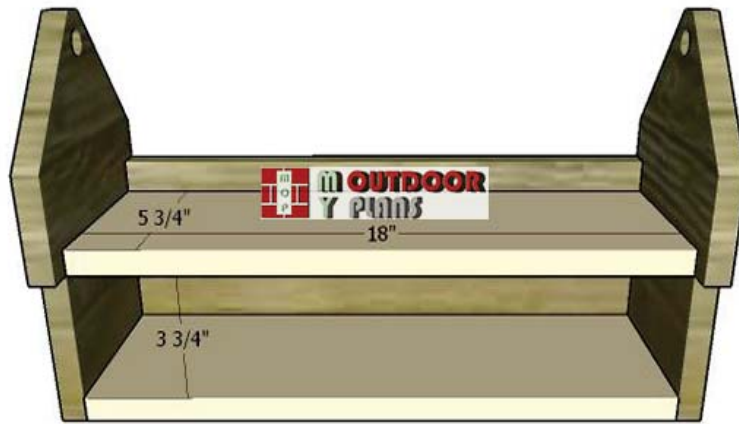


MyOutdoorPlans.com

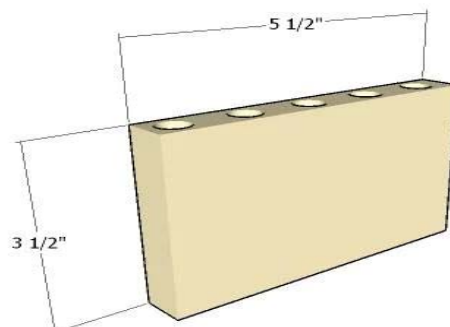
- A** – 2 pieces of 1×8 lumber – 11 1/4" long **ENDS**
- B** – 1 piece of 1×8 lumber – 18" long **BOTTOM**
- C** – 2 pieces of 1×8 lumber – 18" long, 1 piece of 1×3 lumber – 18" long **SHELF**
- D** – 1 pieces of 1×6 lumber – 3 1/2" long **SUPPORT**
- E** – 2 pieces of 1×3 lumber – 4 1/4" long, 2 pieces – 17 3/4" long, 1 piece of 1×6 lumber – 19 1/2" long, 1 piece of 1/4" plywood – 5 3/4" x17 3/4" long
- DRAWER F** – 1 piece of 3/4" dowel – 19 1/2" long **HANDLE**

1 piece of 1×8 lumber – 8'
1 piece of of 1×3 lumber – 8'
3/4" dowel
3/4" brad nails, 1 1/2" brad nails
wood filler, wood glue, stain/paint

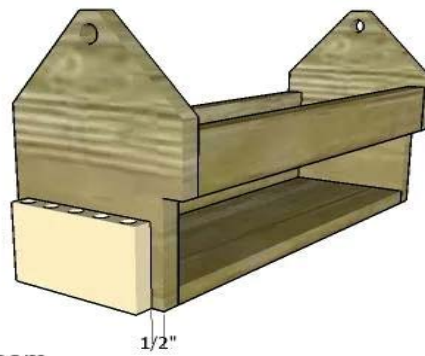




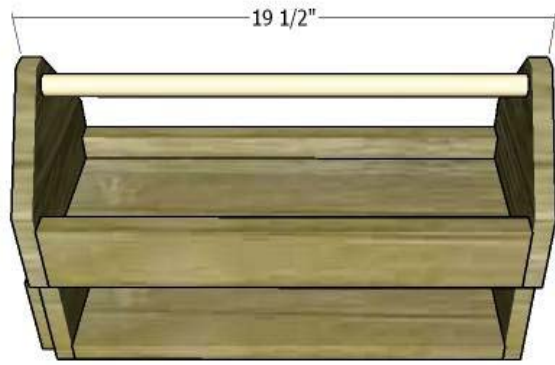
MyOutdoorPlans.com



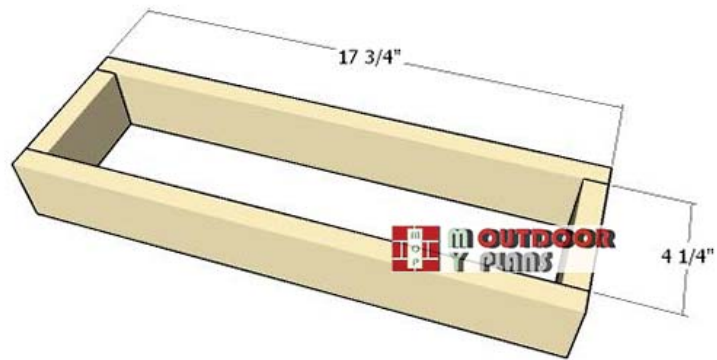
MyOutdoorPlans.com



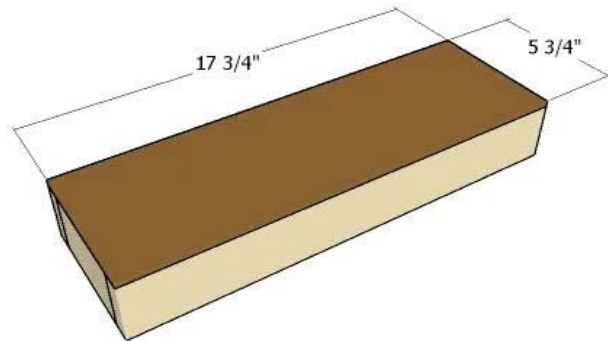
MyOutdoorPlans.com



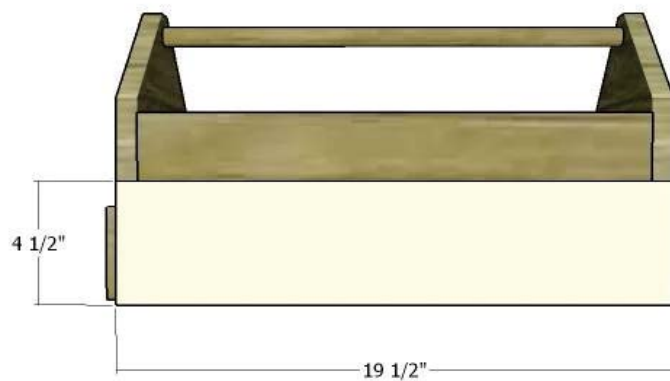
MyOutdoorPlans.com



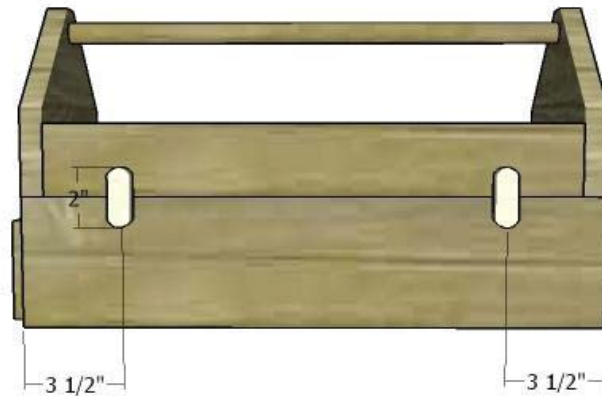
MyOutdoorPlans.com



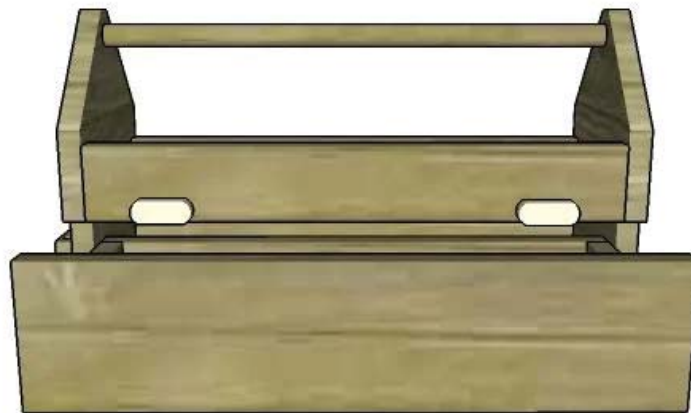
MyOutdoorPlans.com



MyOutdoorPlans.com



MyOutdoorPlans.com



MyOutdoorPlans.com



MyOutdoorPlans.com



MyOutdoorPlans.com

Fill the holes and the dents with wood putty, smooth the surface with sandpaper. Apply a few coats of stain to protect the components. Last step seal the finish. Add Skillsusa Arkansas logo to the center of drawer. Logo can be painted or burned.